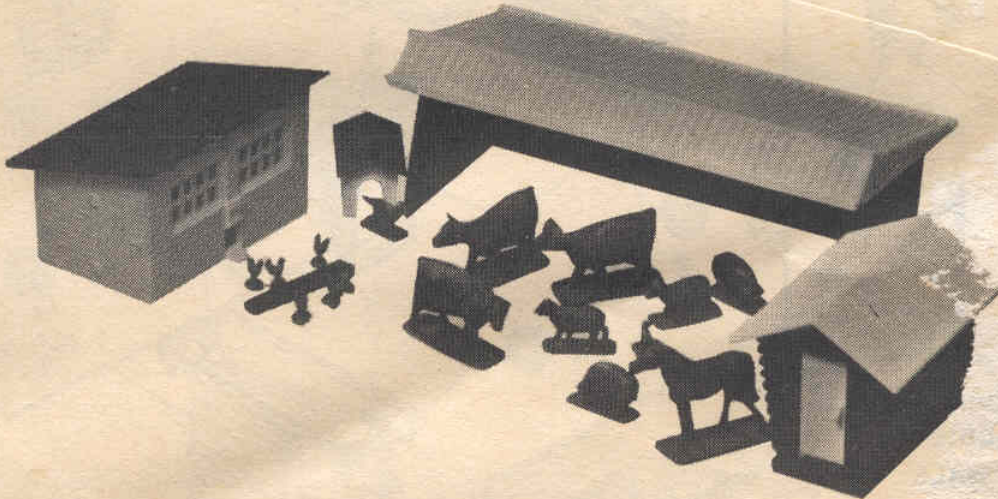


Quality since 1833

BACHMANN HO

FARM BUILDINGS and ANIMALS



UNASSEMBLED BUILDING KITS

- Snap-Fit
- No glue necessary
- Styled after authentic American prototype
- Age 8 to adult

IMPORTANT - BEFORE STARTING

1. If decals or signs are included, apply prior to assembly.
2. Check parts against list of parts.
3. Use photo on box as a guide.
4. Carefully trim any excess plastic from the parts before assembling.
5. Although no glue is necessary for completing this kit you may wish to add a few drops of styrene cement to joints for permanent construction.
6. All parts are called out as shown below.

3 = PART NUMBER

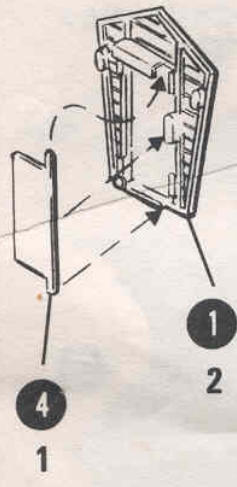
3 = ASSEMBLY SEQUENCE NUMBER

BACHMANN HO SCALE PLASTICVILLE® BUILDING KITS

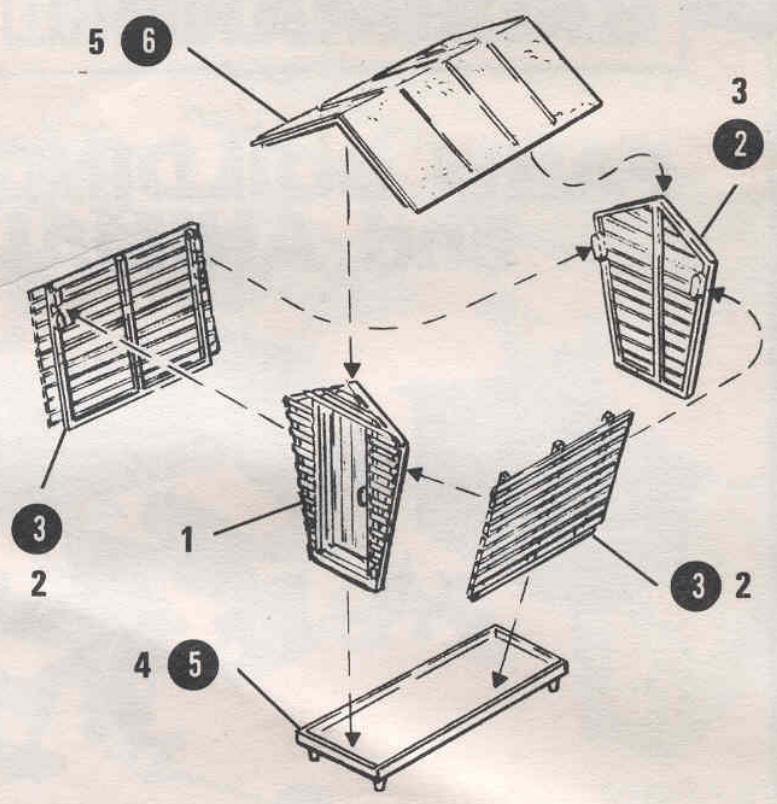
ITEM NO. 2813
FARM BUILDINGS
AND ANIMALS
AGE 8 TO ADULT

BACHMANN BROS., INC., PHILADELPHIA, PA. 19124
PRINTED IN U.S.A.

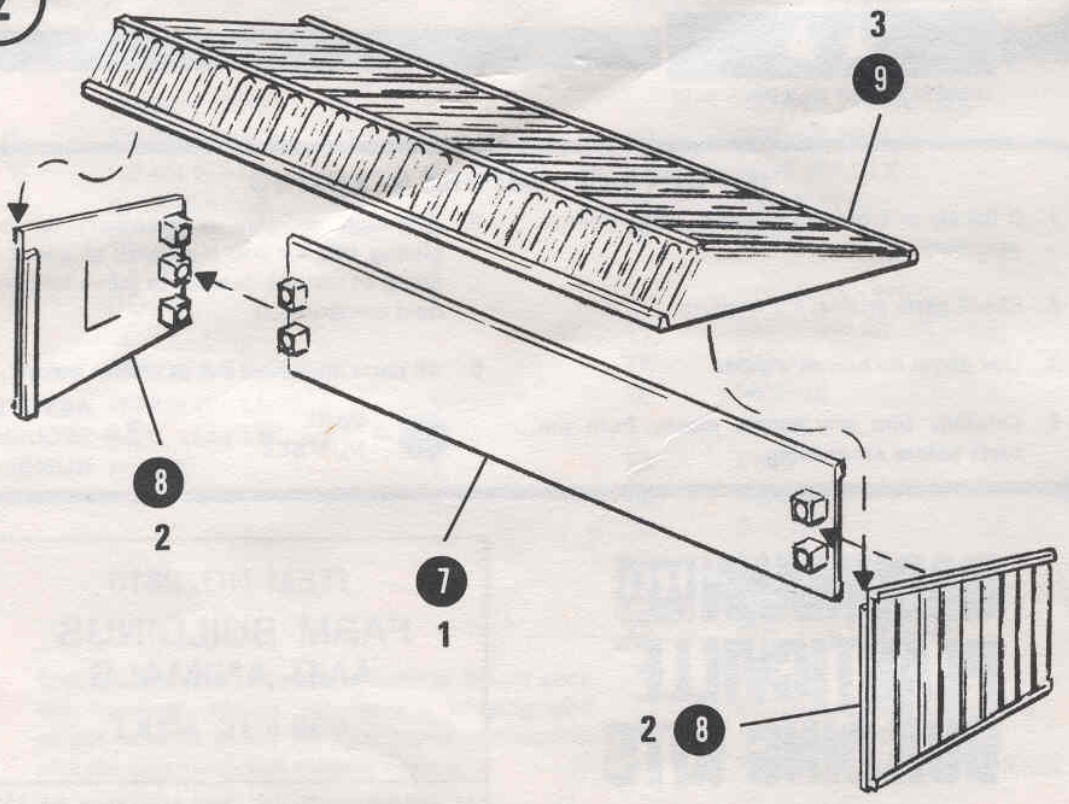
1



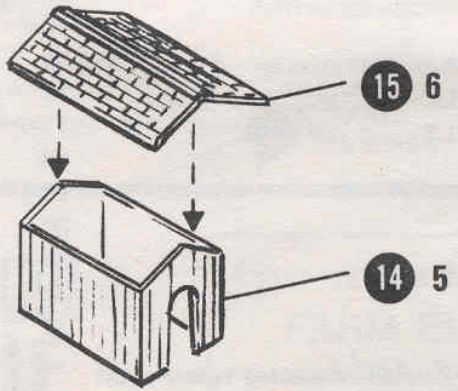
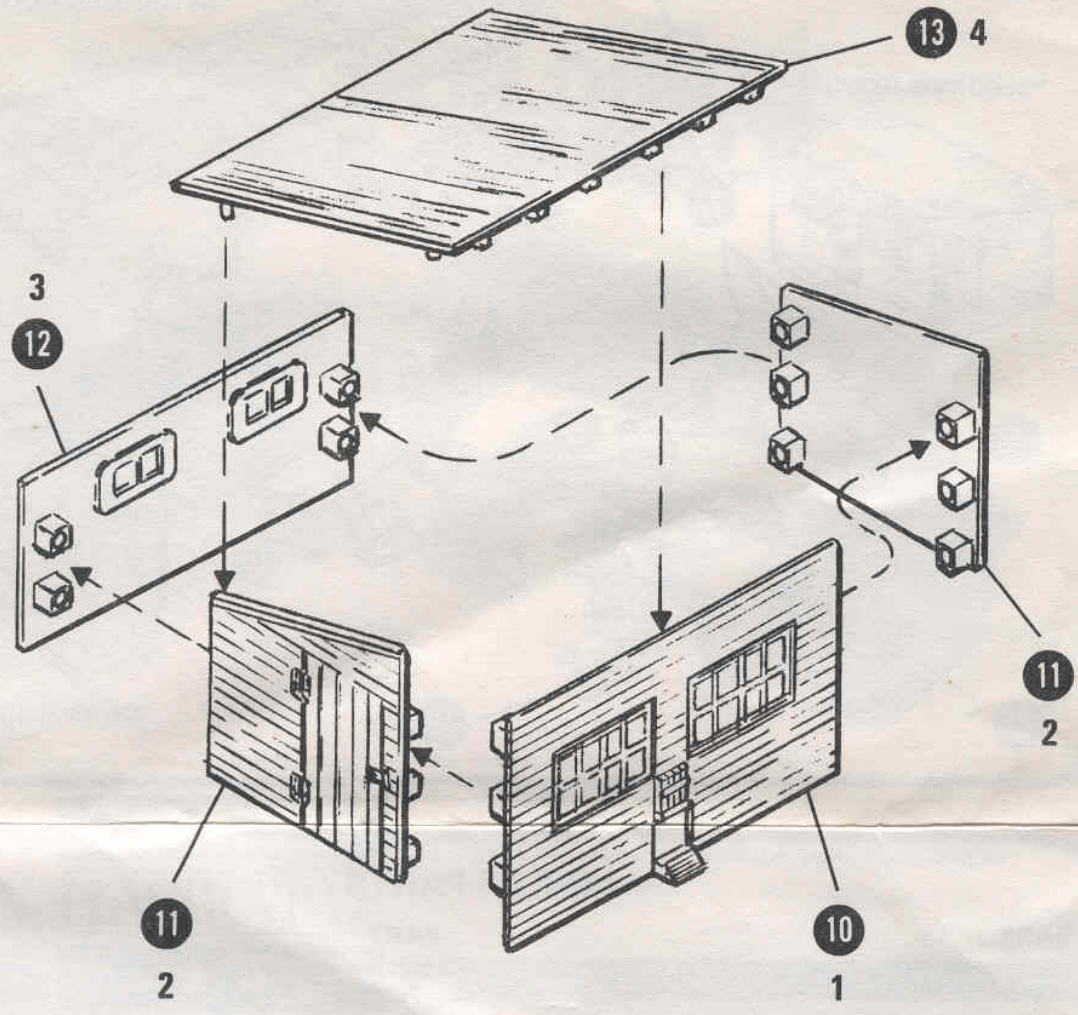
NOTE:
SNAPLOCK DOOR IN
"CORN CRIB"
FRONT WALL



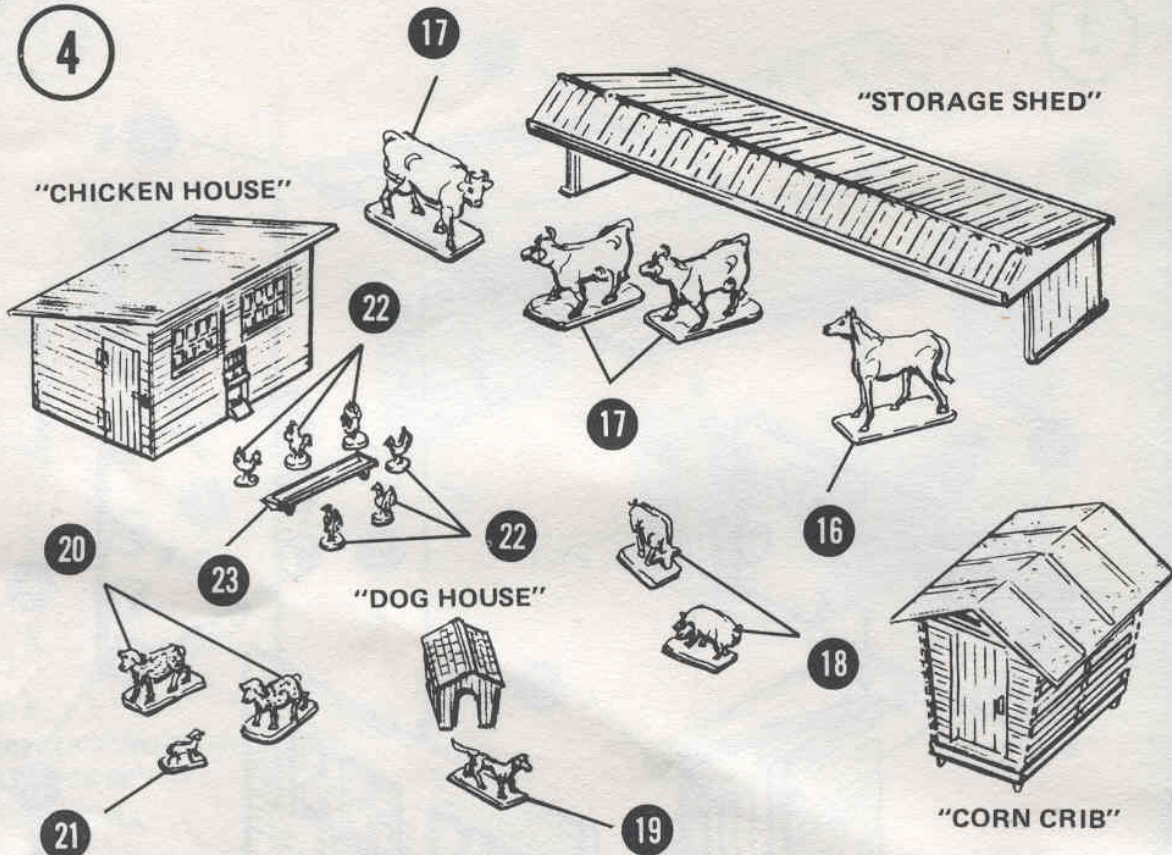
2



3



4



LIST OF PARTS

PART NO.	PART NAME	QTY	PART NO.	PART NAME	QTY
	"CORN CRIB"			"CHICKEN HOUSE"	
1	FRONT WALL	1	10	FRONT WALL	1
2	REAR WALL	1	11	SIDE WALLS	2
3	SIDE WALLS	2	12	REAR WALL	1
4	DOOR	1	13	ROOF	1
5	FLOOR	1		"DOG HOUSE"	
6	ROOF	1	14	BOTTOM OF HOUSE	1
	"STORAGE SHED"		15	ROOF	1
7	REAR WALL	1	16	HORSE	1
8	SIDE WALLS	2	17	COWS	3
9	ROOF	1	18	PIGS	2
			19	DOG	1
			20	SHEEP	2
			21	LAMB	1
			22	CHICKENS	6
			23	WATER TROUGH	1

Each kit has been carefully inspected before packing, however, should you have a missing part, please write us giving the item name and number, plus the part name and number missing.

Write to:
BACHMANN BROS., INC.
 1400 E. ERIE AVE.
 PHILADELPHIA, PA. 19124